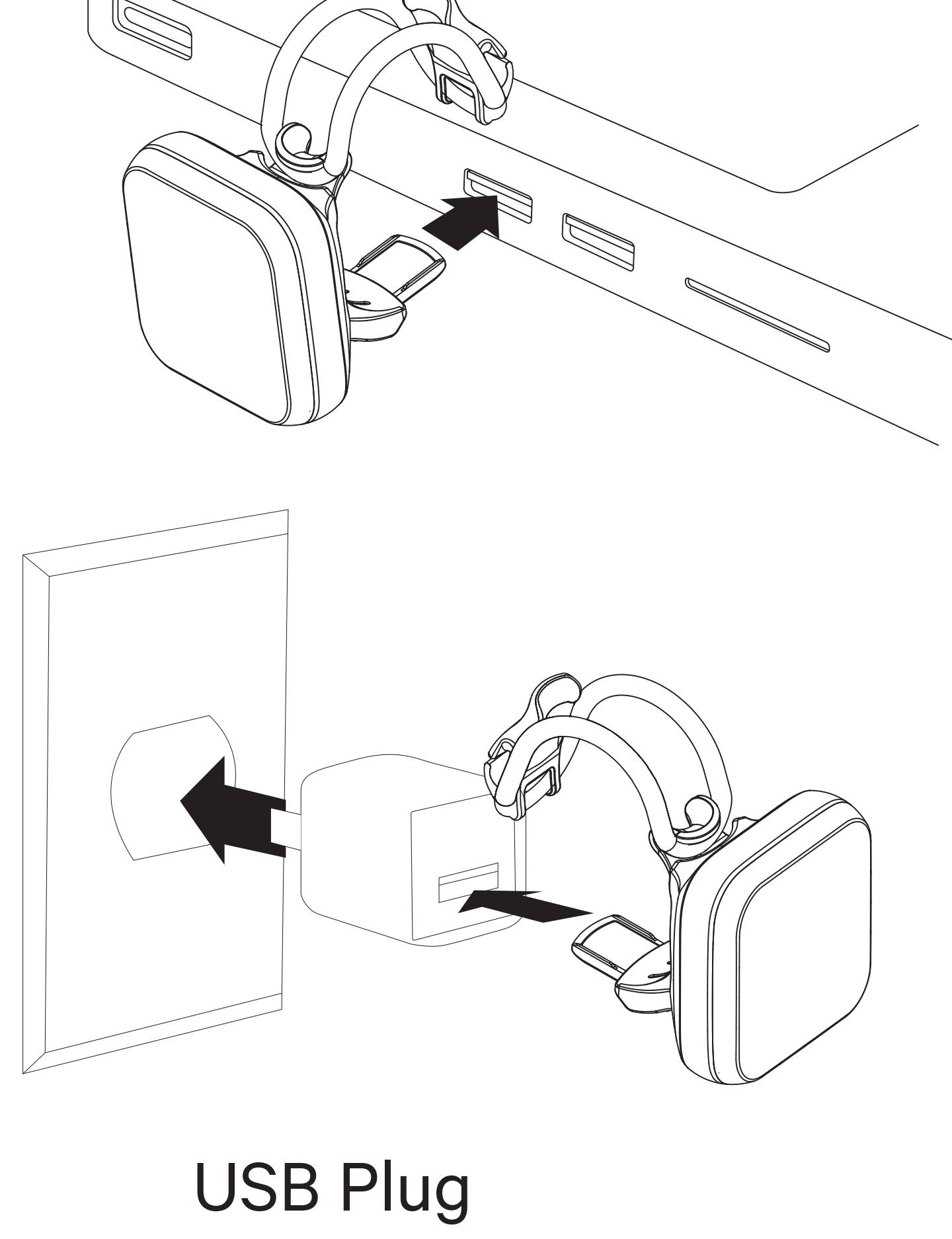




BLINDER

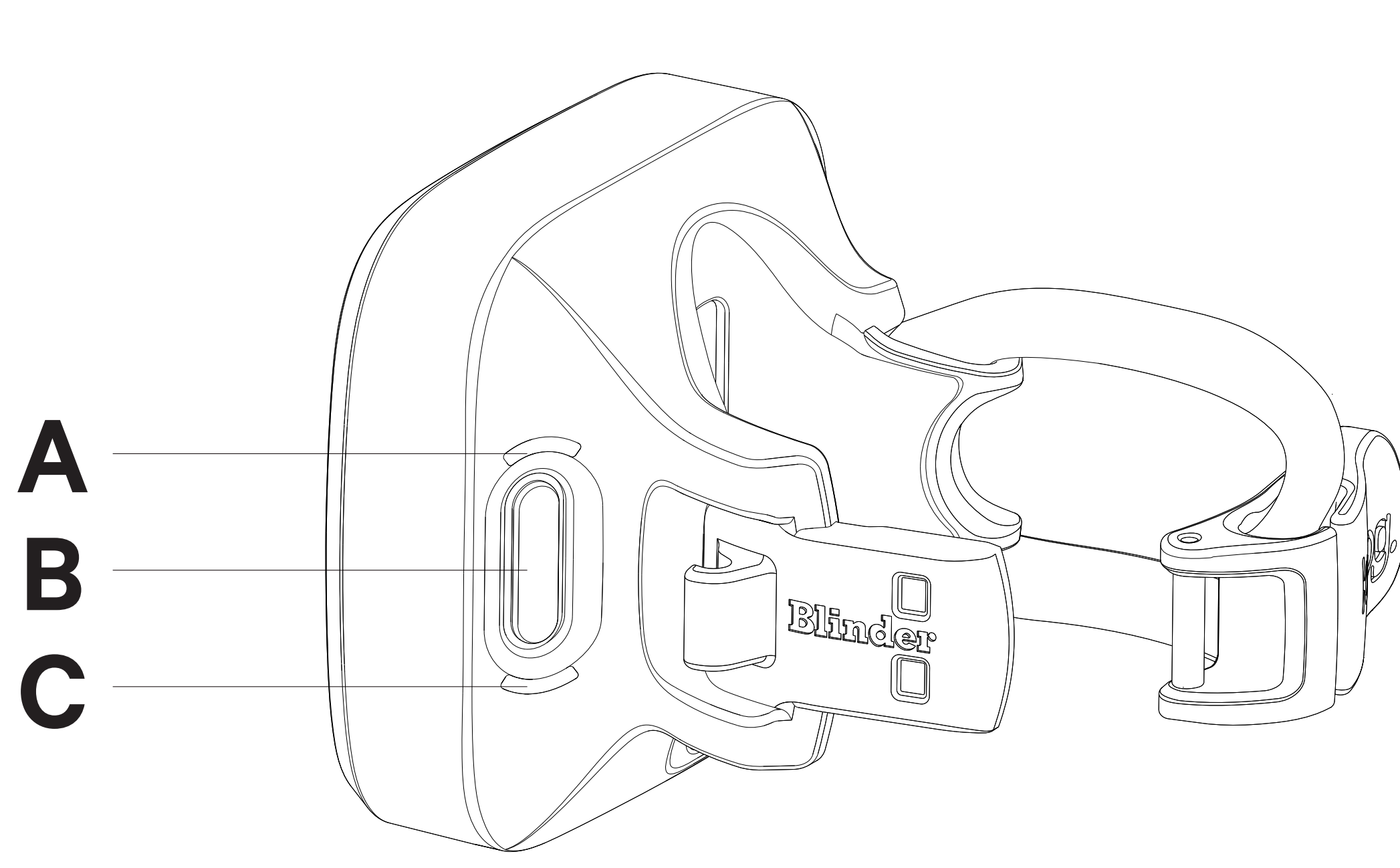
QUICK START GUIDE

RECHARGE BEFORE FIRST USE



USB Plug

INTERFACE



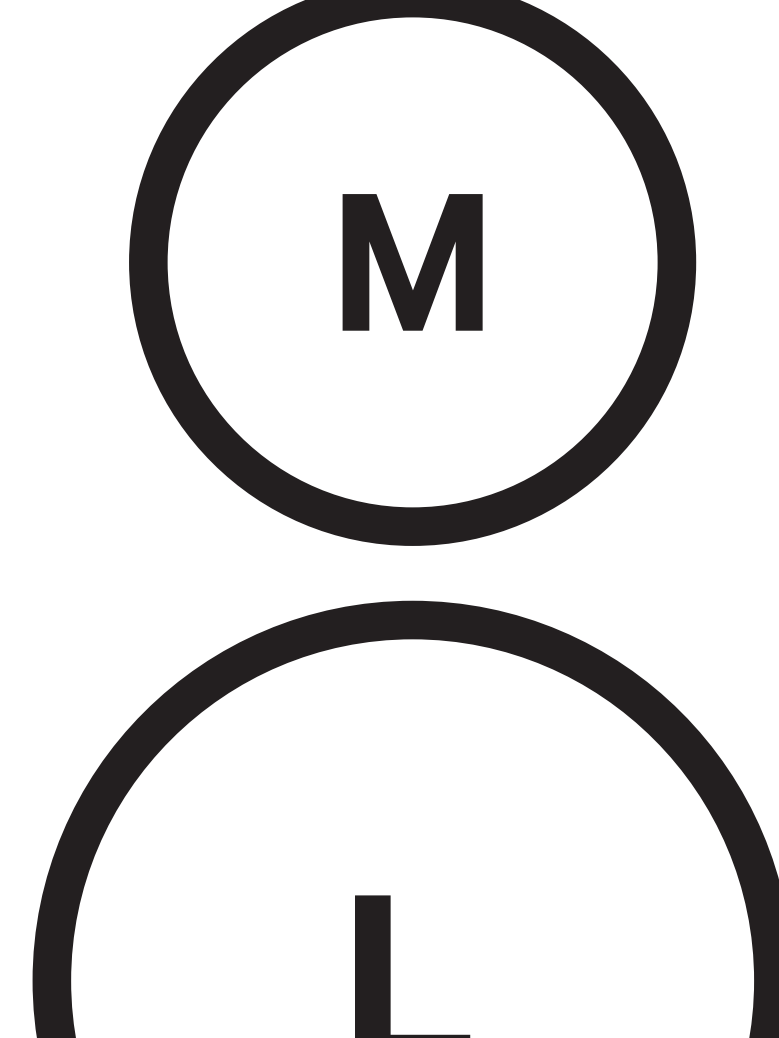
- A. LOW BATTERY INDICATOR
- B. POWER/MODE SWITCH
- C. RECHARGE INDICATOR

LONG PRESS B TO TURN LIGHT ON/OFF

SHORT PRESS B TO CYCLE MODES

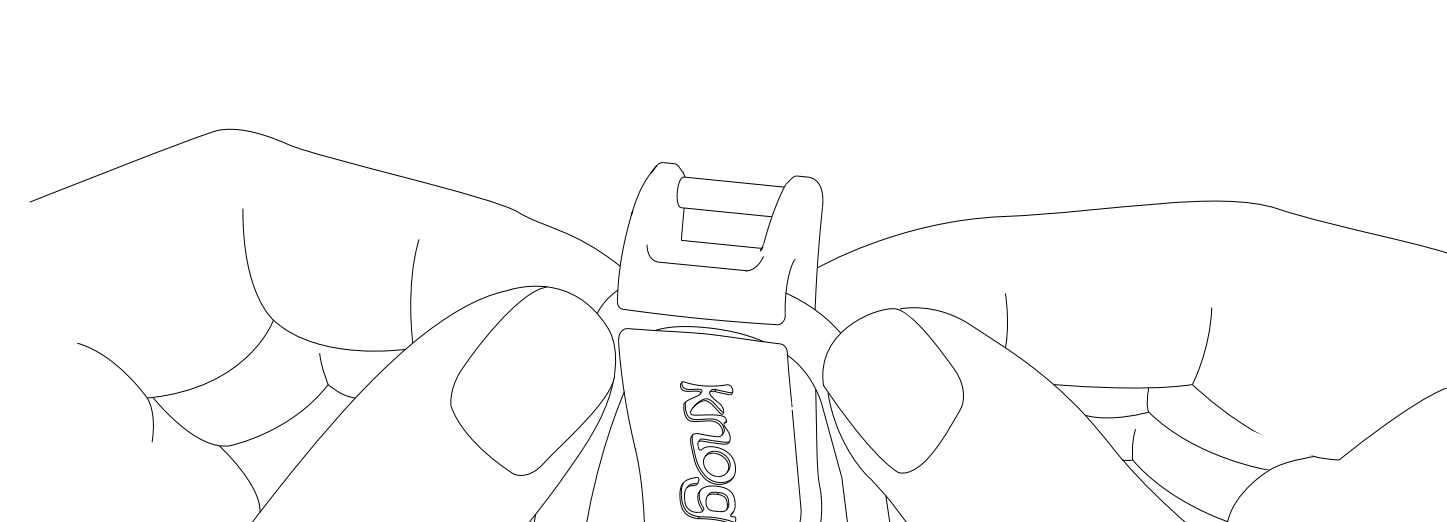
FITMENT

3 STRAP SIZES INCLUDED

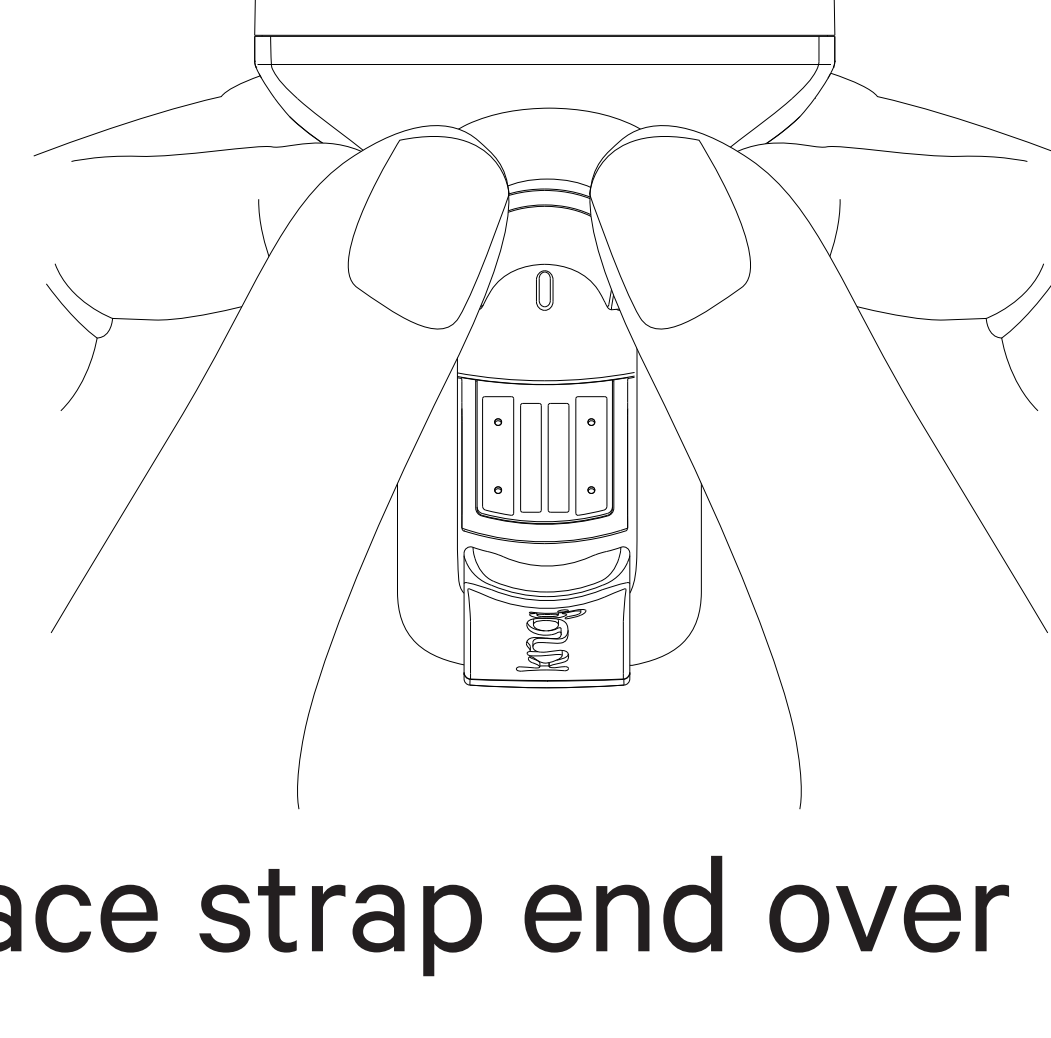


BLINDERS COME PRE-FITTED TO CLASP WITH MEDIUM STRAP

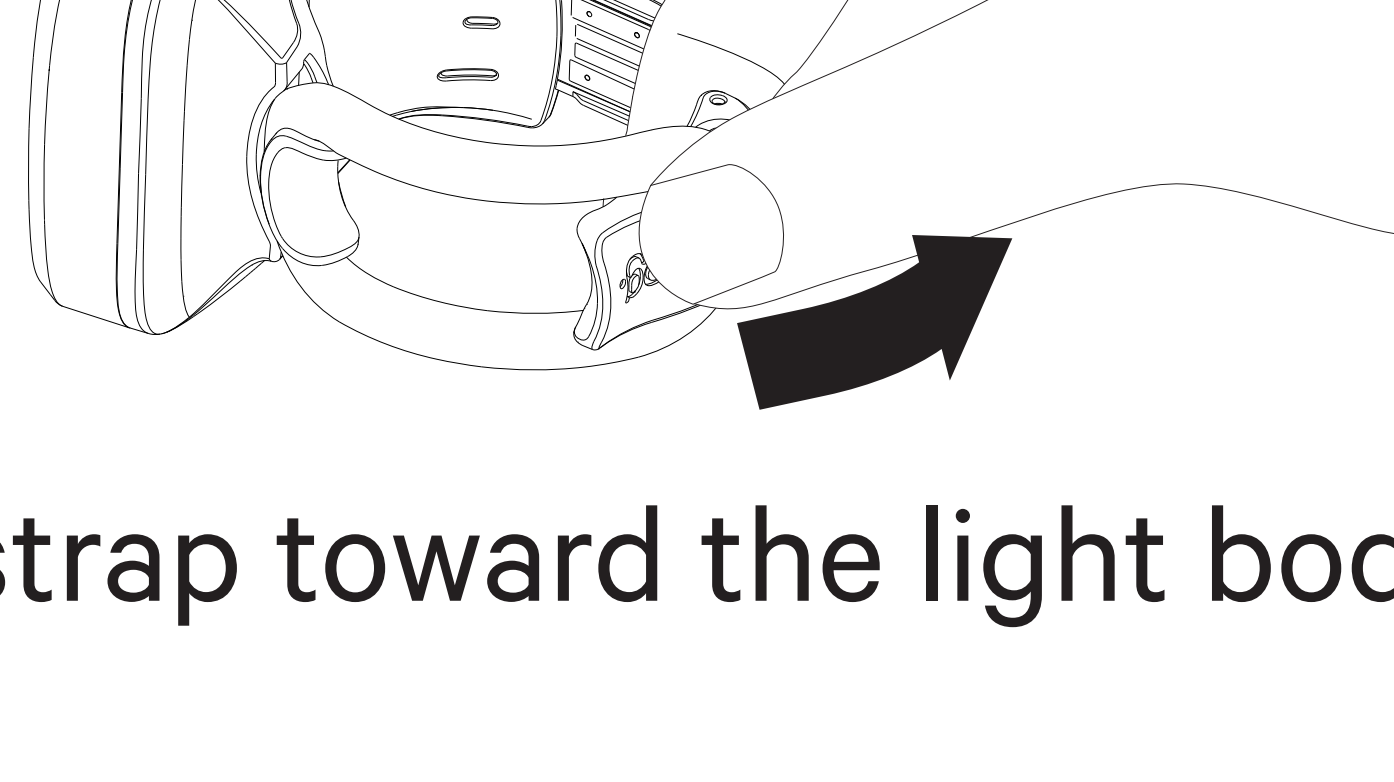
INTERCHANGEABLE STRAP



Stretch strap to fit clasp

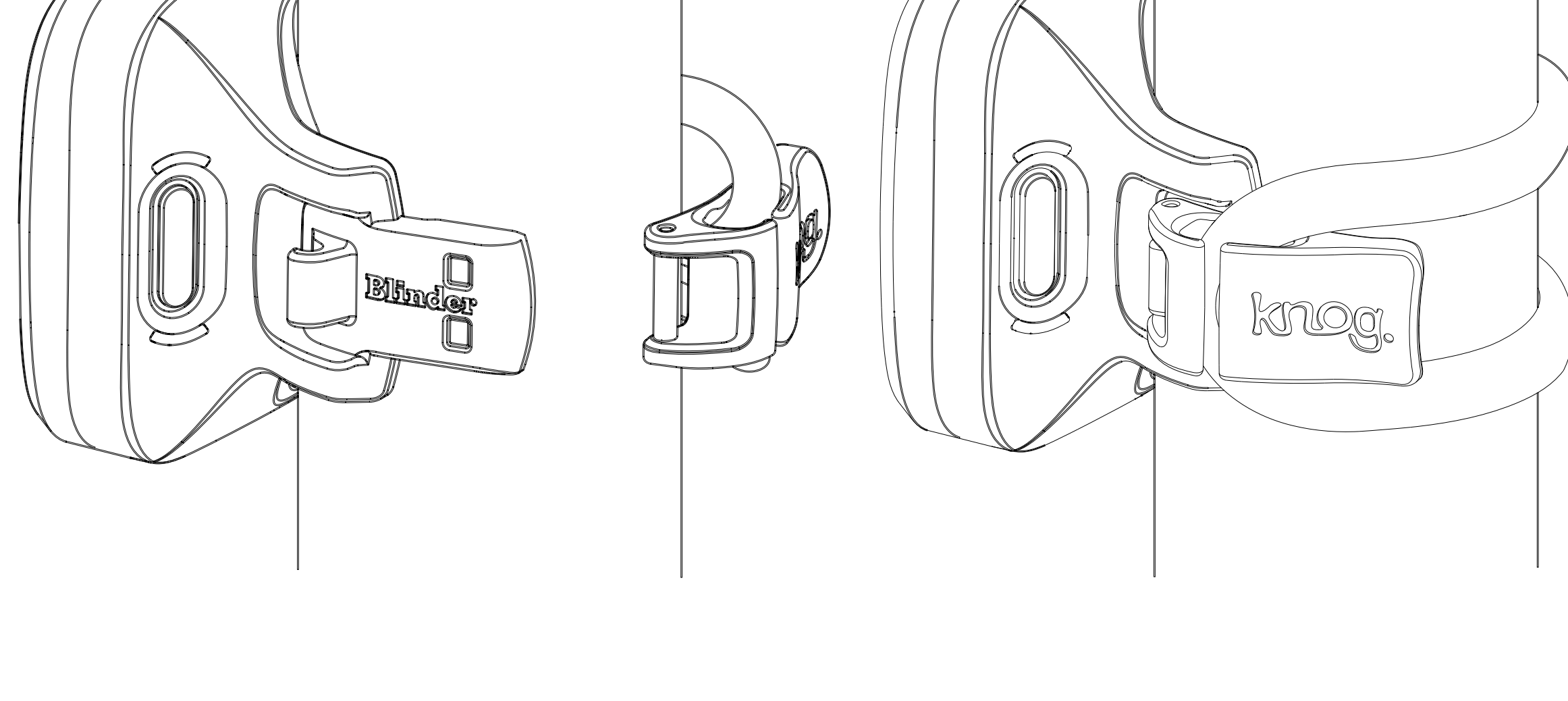


Place strap end over hook



Pull strap toward the light body

MOUNTING

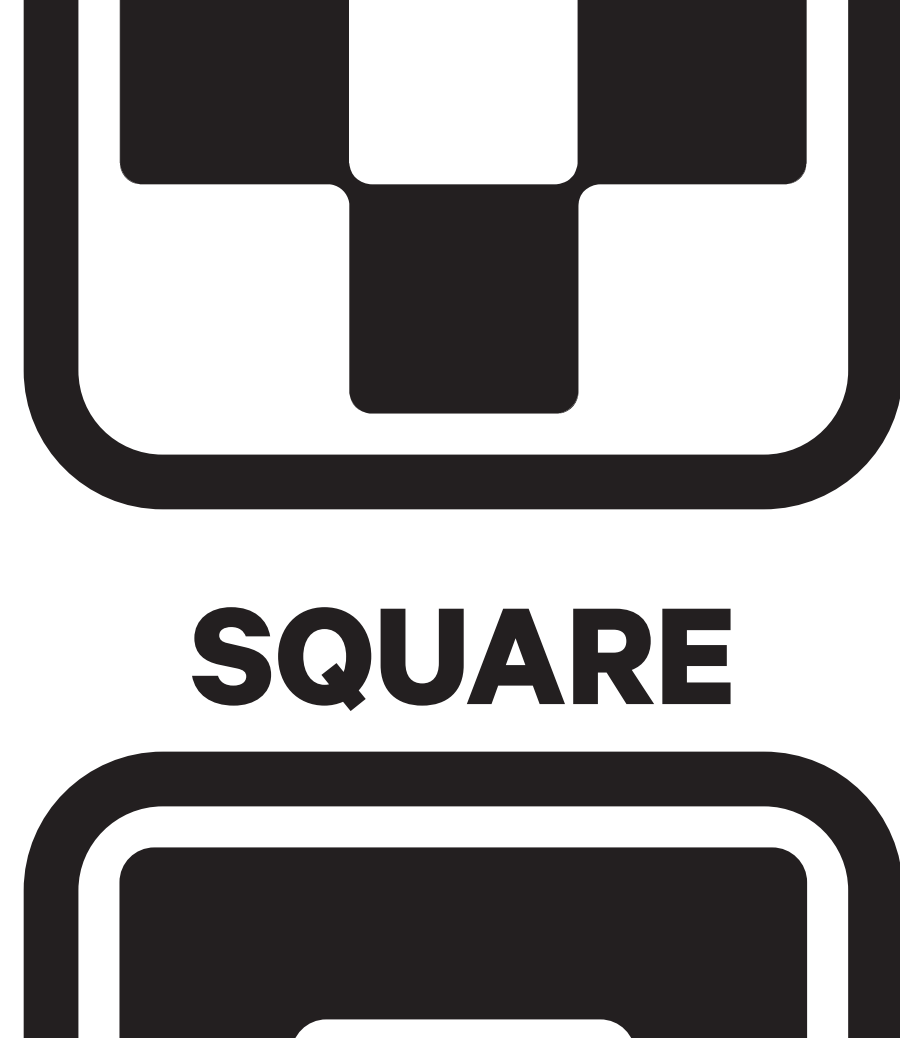


1. Pull silicone strap around bar

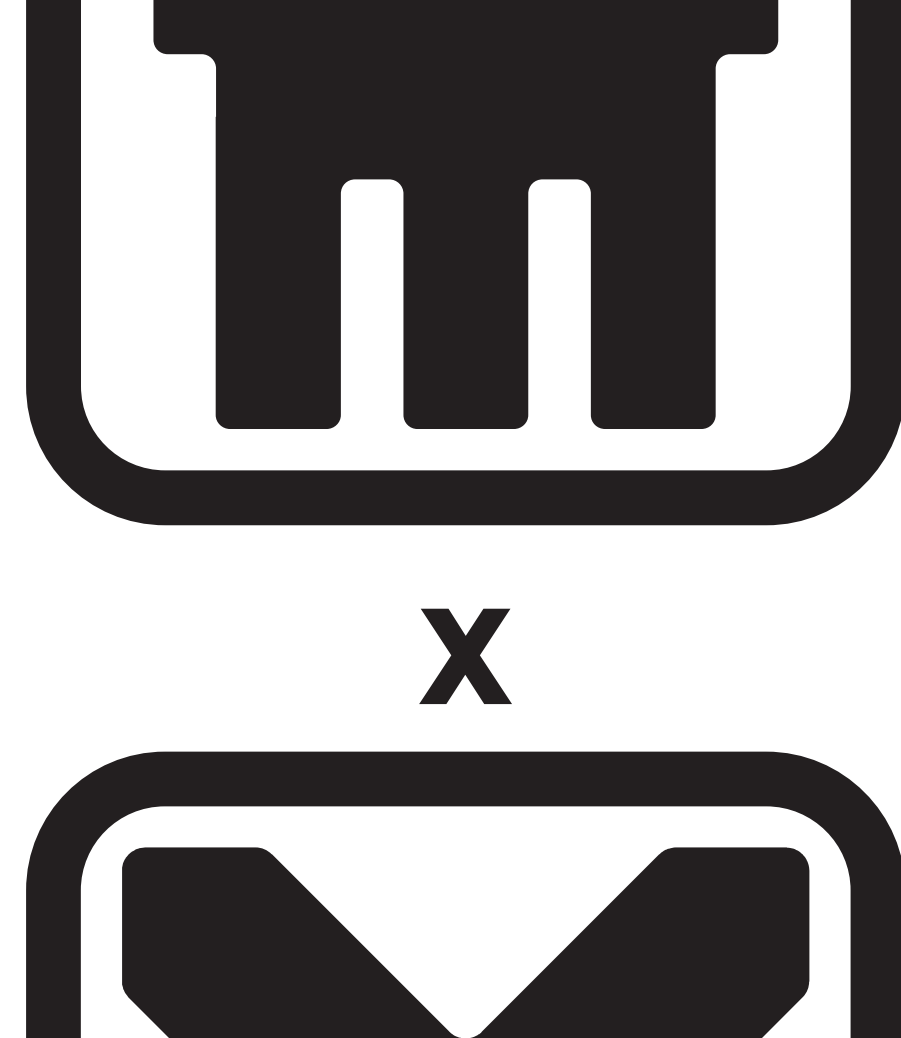
2. Engage latch into hook

THE RANGE

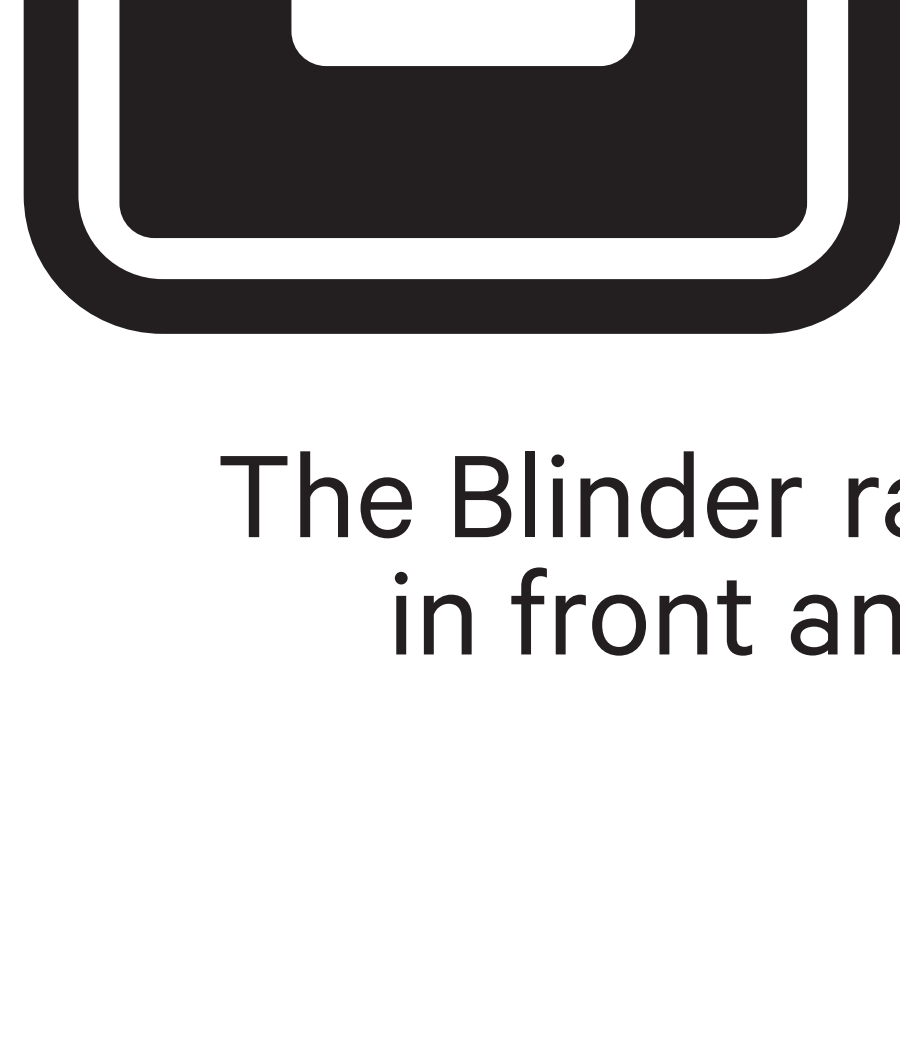
GRID



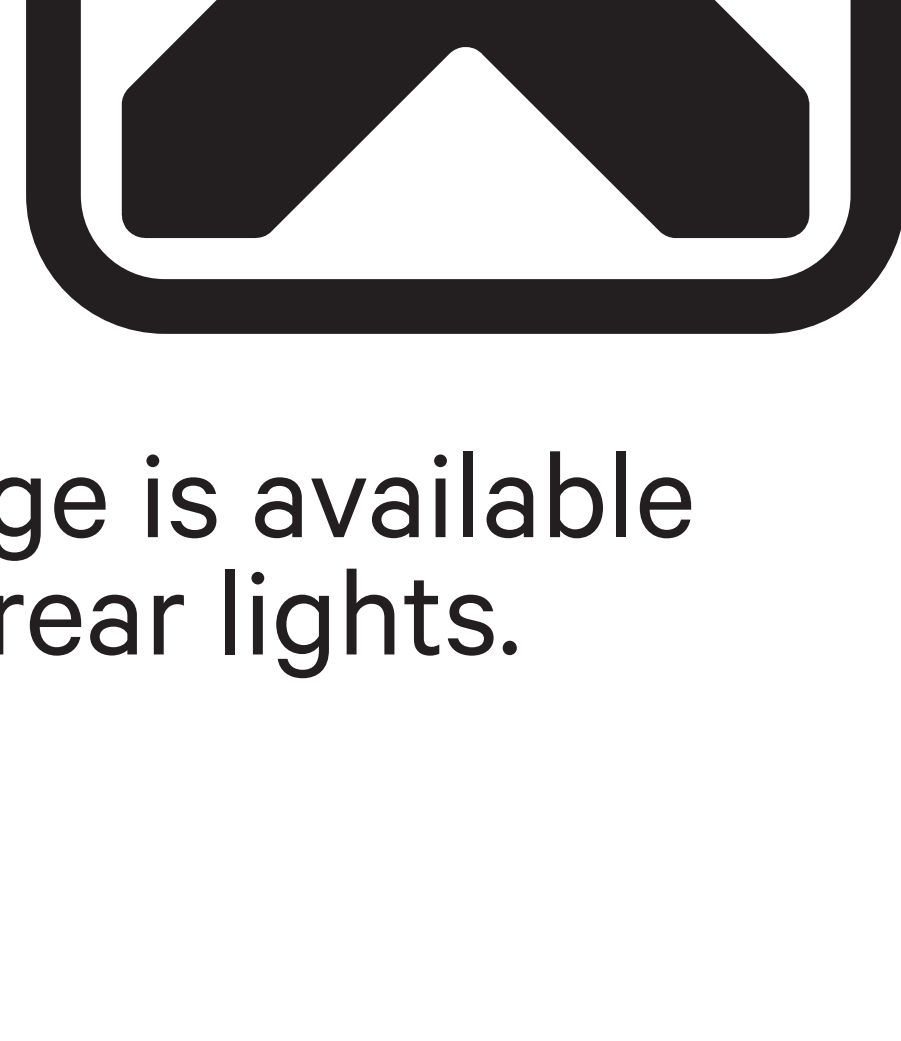
SKULL



SQUARE



X



The Blinder range is available in front and rear lights.

WARRANTY INFORMATION

This light is guaranteed for 2 years against manufacturing defects only.

For more information go to

KNOG.COM