

CANE**CREEK**[®]

HELLBENDER
BOTTOM BRACKET

PF30 = 68mm, 73mm
BB30 = 68mm, 73mm

Installation

① Grease

Graisse
Fetten
Grasso

② Press

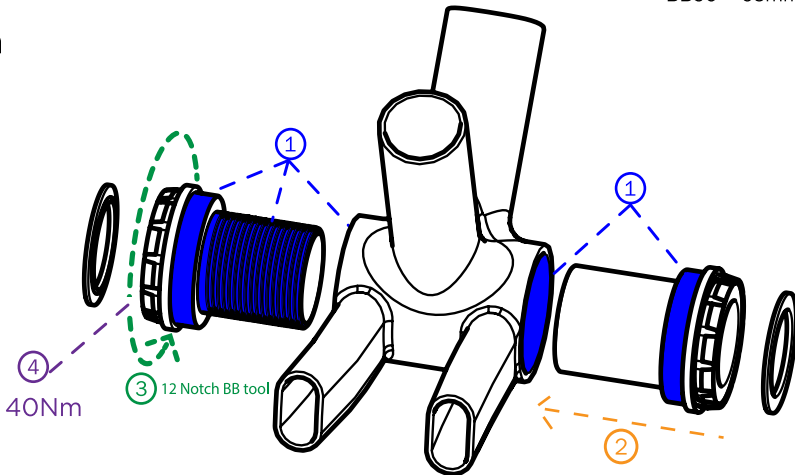
Presse
Einpressen
Pressare

③ Thread

Visser
Einschrauben
Avvitare

④ Torque 40Nm

Serrer
Festziehen
Serrare



eeWings Cranksets Require (1) Additional Spindle Spacer on the Driveside of the Crank - see eeWings instructions.

Installation

① Measure

Mesure
Messen
Misurare

② Grease

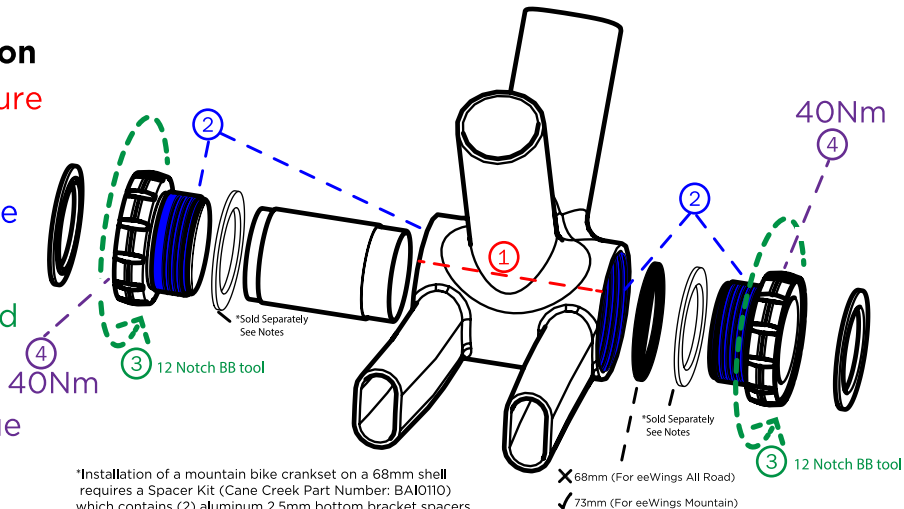
Graisse
Fetten
Grasso

③ Thread

Visser
Einschrauben
Avvitare

④ Torque

Serrer
Festziehen
Serrare



*Installation of a mountain bike crankset on a 68mm shell requires a Spacer Kit (Cane Creek Part Number: BA10110) which contains (2) aluminum 2.5mm bottom bracket spacers.

eeWings Cranksets Require (1) Additional Spindle Spacer on the Driveside of the Crank - see eeWings instructions.



PF41 - Pressfit

30mm Spindle ONLY

PF41 = 86.5, 89.5, 92, 121, 124, 132

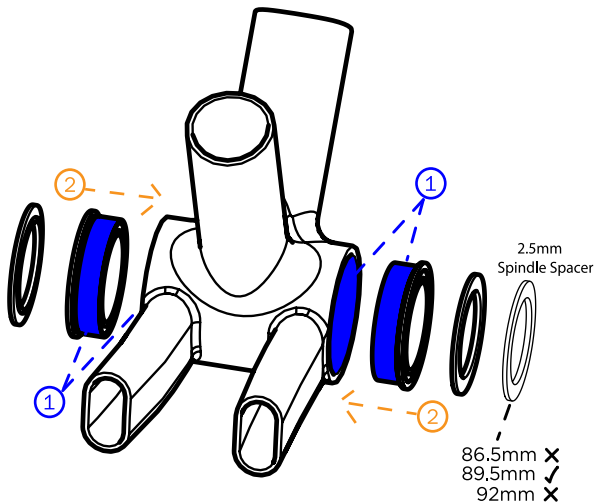
Installation

① Grease

Graisse
Fetten
Grasso

② Press

Presse
Einressen
Pressare



eeWings Cranksets Require (1) Additional Spindle Spacer on the Driveside of the Crank - see eeWings instructions.

T47 = 68mm, 73mm

Installation

① Measure

Mesure
Messen
Misurare

② Grease

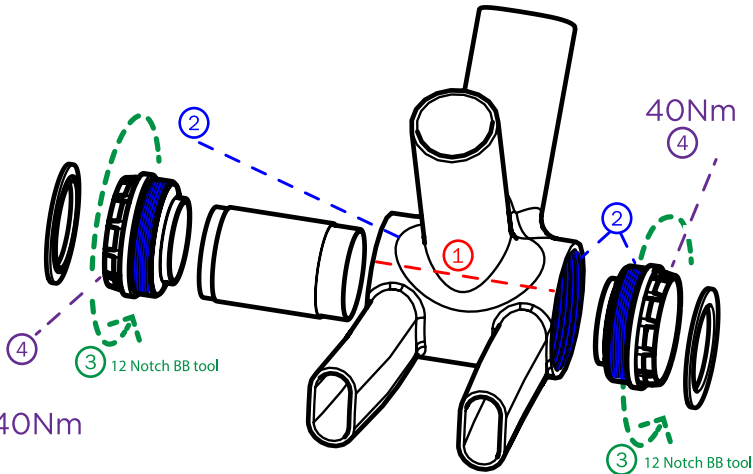
Graisse
Fetten
Grasso

③ Thread

Visser
Einschrauben
Avvitare

④ Torque 40Nm

Serrer
Festziehen
Serrare



eeWings Cranksets Require (1) Additional Spindle Spacer on the Driveside of the Crank - see eeWings instructions.



T47 - Internal

T47i = 86mm/92mm

Installation

Measure

Mesure
Messen
Misurare

Grease

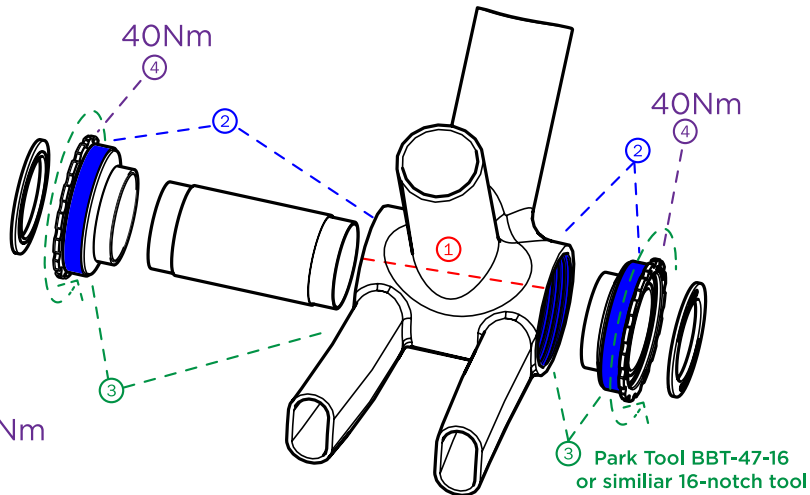
Graisse
Fetten
Grasso

Thread

Visser
Einschrauben
Avvitare

Torque 40Nm

Serrer
Festziehen
Serrare



eeWings Cranksets Require (1) Additional Spindle Spacer on the Driveside of the Crank - see eeWings instructions.