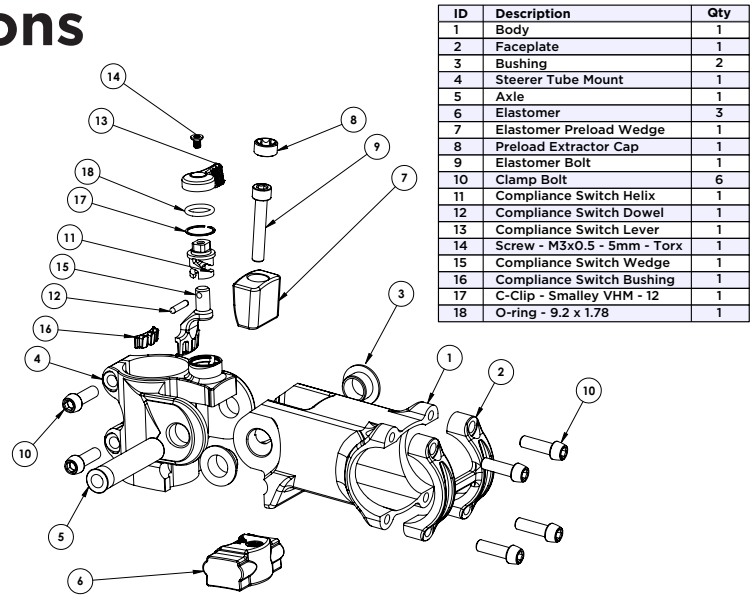


*** THE eeSILK STEM CAN ONLY BE INSTALLED IN ONE ORIENTATION WITH THE COMPLIANCE SWITCH FACING UP AND THE ELASTOMER FACING DOWN.**

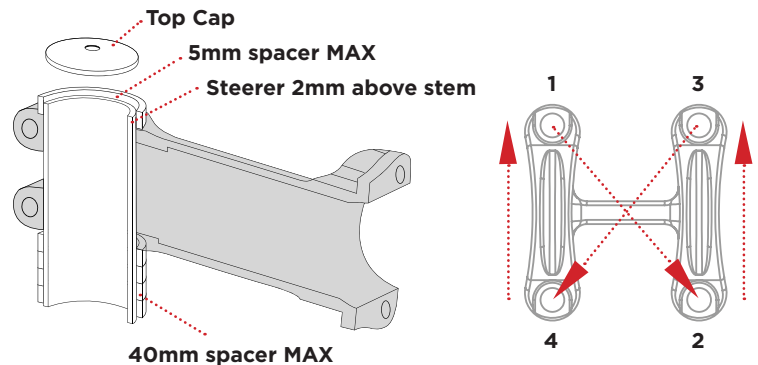
Stem Installation Instructions

Take note that the eeSilk stem **needs +52mm of steerer tube to be installed correctly.**

1. Remove your existing stem.
2. Install the eeSilk stem on your bicycle's steerer tube. The eeSilk can only be installed in one orientation with the lockout lever facing up and the elastomer facing down. **Carbon steerer tubes should extend completely through the stem for proper clamping pressure and safety.** It is recommended to have a minimum of 2mm of steerer tube extend above the stem and use a 5mm headset spacer between the stem and headset top cap. More than a 5mm spacer above and more than 40mm of spacers below the stem is not recommended.
3. Install handlebar to stem tightening stem faceplate bolts in an alternating X pattern and torque to 5Nm.
4. Center/align stem to front wheel and torque stem clamp bolts to 5Nm



ID	Description	Qty
1	Body	1
2	Faceplate	1
3	Bushing	2
4	Steerer Tube Mount	1
5	Axle	1
6	Elastomer	3
7	Elastomer Preload Wedge	1
8	Preload Extractor Cap	1
9	Elastomer Bolt	1
10	Clamp Bolt	6
11	Compliance Switch Helix	1
12	Compliance Switch Dowel	1
13	Compliance Switch Lever	1
14	Screw - M3x0.5 - 5mm - Torx	1
15	Compliance Switch Wedge	1
16	Compliance Switch Bushing	1
17	C-Clip - Smalley VHM - 12	1
18	O-ring - 9.2 x 1.78	1



Selecting Elastomer -

The eeSilk stem ships with one (1) elastomer installed and two (2) elastomers included in the box. (see chart).

Cane Creek recommends riding the installed elastomer before experimenting with other elastomers. Unlike recommending a rider weight rating, the eeSilk stem elastomers were developed based on different riding styles and terrain. **It is suggested that if you ride rougher conditions, experiment with a firmer elastomer.**

Stem Length	Installed Elastomer	Included Elastomers	
80mm	Medium ○○○○○	Soft ○○○	Medium/Firm ○○○○○
90mm	Medium ○○○○○	Soft ○○○	Medium/Firm ○○○○○
100mm	Firm ○○○○○○	Medium/Firm ○○○○○	Extra Firm ●●●●●

additional elastomers available separately

Changing Elastomer -

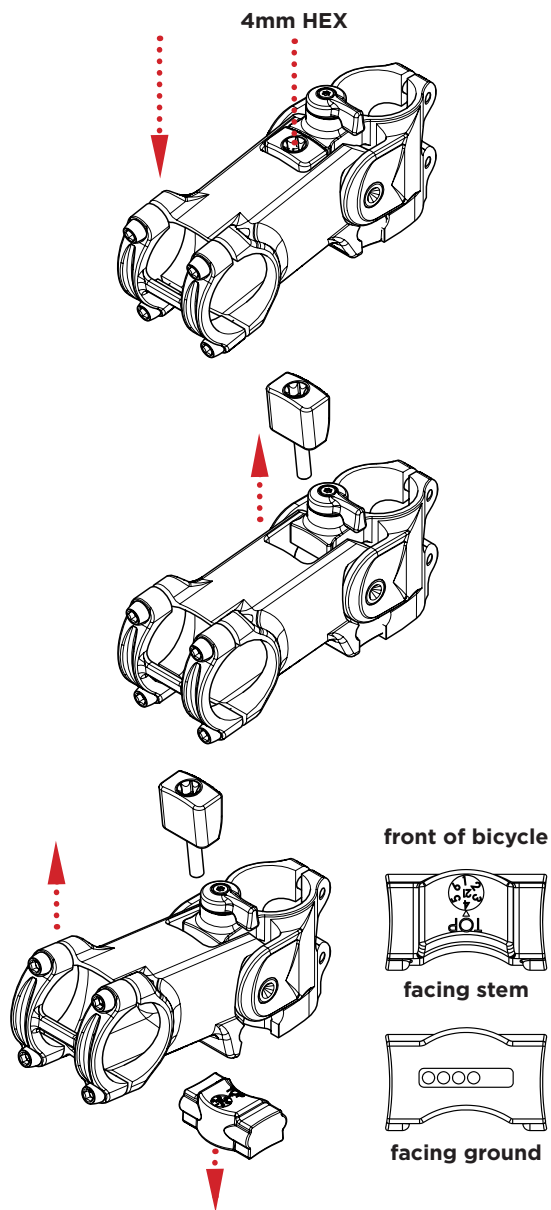
Removal:

1. With stem installed on bicycle, press down slightly on handlebars to preload elastomer and remove pressure on stem preload wedge and bolt.
2. With 4mm hex wrench, loosen elastomer bolt on top of stem body while keeping pressure on handlebar. **DO NOT loosen preload extractor cap.**
3. With preload assembly removed, lift stem and handlebar to remove elastomer.

Install:

1. **Elastomer can only be install in one orientation.** Make sure chosen elastomer rating indication is facing down. Elastomer is marked with "TOP" and should face up toward stem. Curved surfaces should be facing handlebar.
2. While pressing down slightly on handlebar, install preload wedge assembly with 4mm hex wrench. **Applying downward force to the stem will aid in proper elastomer wedge bolt alignment, failure to do so may result in permanent damage.**

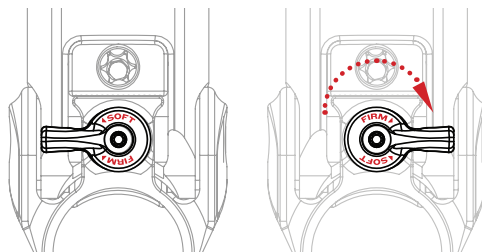
NOTICE - the eeSilk stem is designed to absorb small to medium sized bumps only. Use caution when encountering large obstacles on the road or trail.



Compliance Switch -

The eeSilk stem features both soft and firm settings. To achieve firm setting turn switch clockwise 90° to achieve firm setting (there is no middle setting).

Depending on the elastomer durometer used, rider weight, and rider position over the handlebars, the firmness of the eeSilk Stems firm setting will vary.



Maintenance -

Rinse and wash on a regular basis with a mild soap. Occasionally check the torque of the 4mm clamp bolts on the steerer tube mount and faceplate. Additionally, the pivot axle can be periodically lubricated with a light oil.

Warranty Information

LIMITED ONE (1) YEAR WARRANTY ON CANE CREEK eeSilk

eeSilk stem is warranted against defects in materials or workmanship for one year from the date of purchase. This warranty applies to the original owner only. At their discretion, Cane Creek Cycling Components will repair or replace any defective stem with the same or comparable model. This warranty is void if the stem is damaged as a result of abuse, alterations, modifications, improper adjustment, lack of maintenance, crashes, or other conditions judged by Cane Creek Cycling Components to be abnormal, excessive, or improper. It is mandatory that a Return Authorization Number (RA#) is received (by calling or emailing Cane Creek) before any return is made. Additionally, a dated Proof of Purchase must accompany the stem when returned.